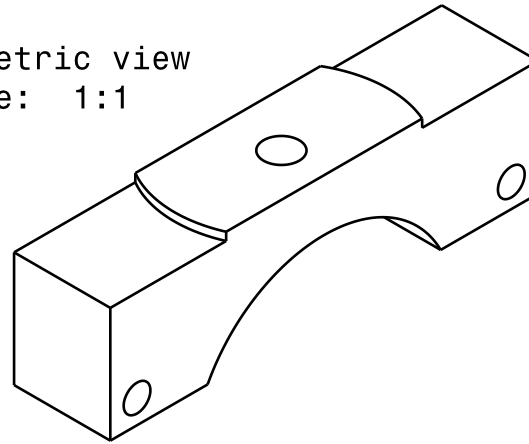
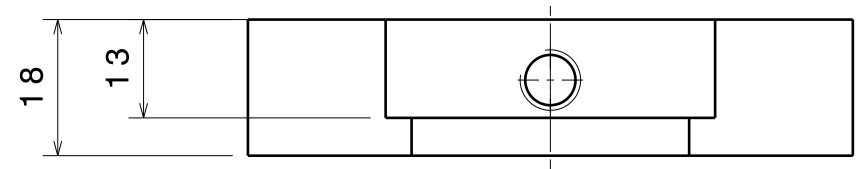
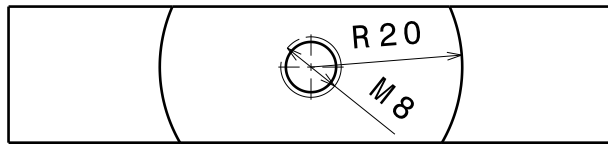


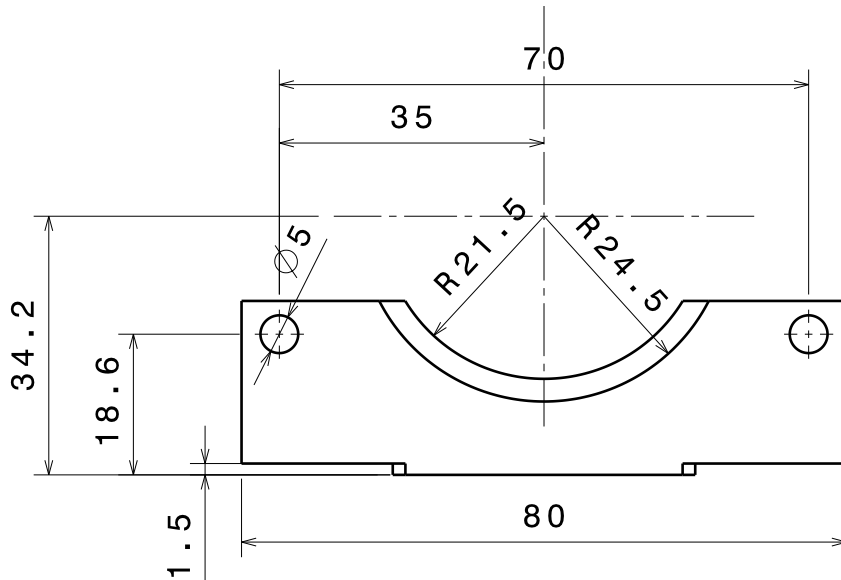
Isometric view  
Scale: 1:1



Front view  
Scale: 1:1



Rear view  
Scale: 1:1



Top view  
Scale: 1:1

Simple Indexer Block  
Sieg 7X12 Lathe  
(C) mark@wrathall.com  
28/SEP/2004